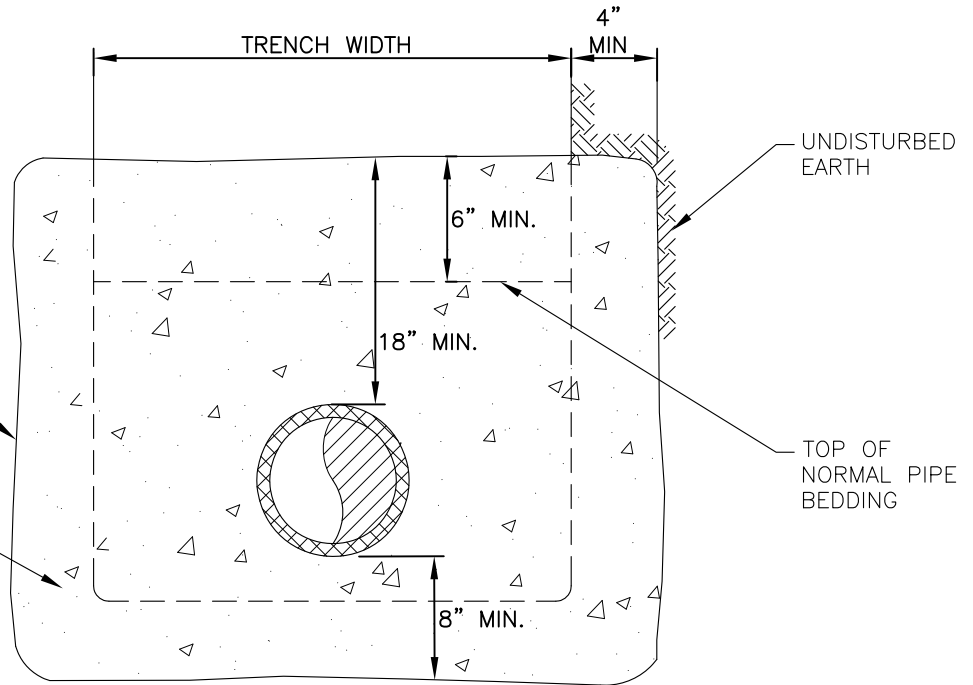


NOTES:

1. TRENCH DAMS SHALL BE LOCATED AS SHOWN ON THE PLANS OR AS DIRECTED BY THE ENGINEER.
2. CONCRETE TRENCH DAM SHALL BE ENTIRE WIDTH OF TRENCH.
3. DRAINAGE FROM TRENCH DAM SHALL BE CONNECTED TO STORM DRAIN.

TYPICAL KEY
SIDES AND
BOTTOM

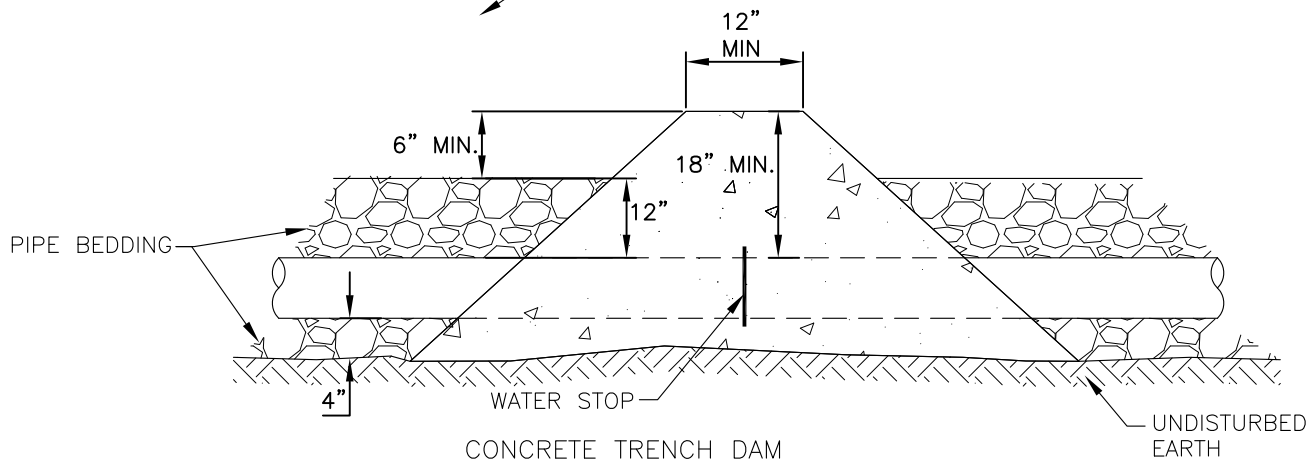
CLASS A OR
B CONCRETE



CONCRETE TRENCH DAM
SECTION

TOP OF
TRENCH

BACKFILL AS REQUIRED



CONCRETE TRENCH DAM
ELEVATION

NAPA SANITATION DISTRICT



TITLE

TRENCH DAMS

DATE: JUN 2018

CHECKED BY: SK

APPROVED BY: AD

SCALE: NONE

DRAWING NO.

SS-20