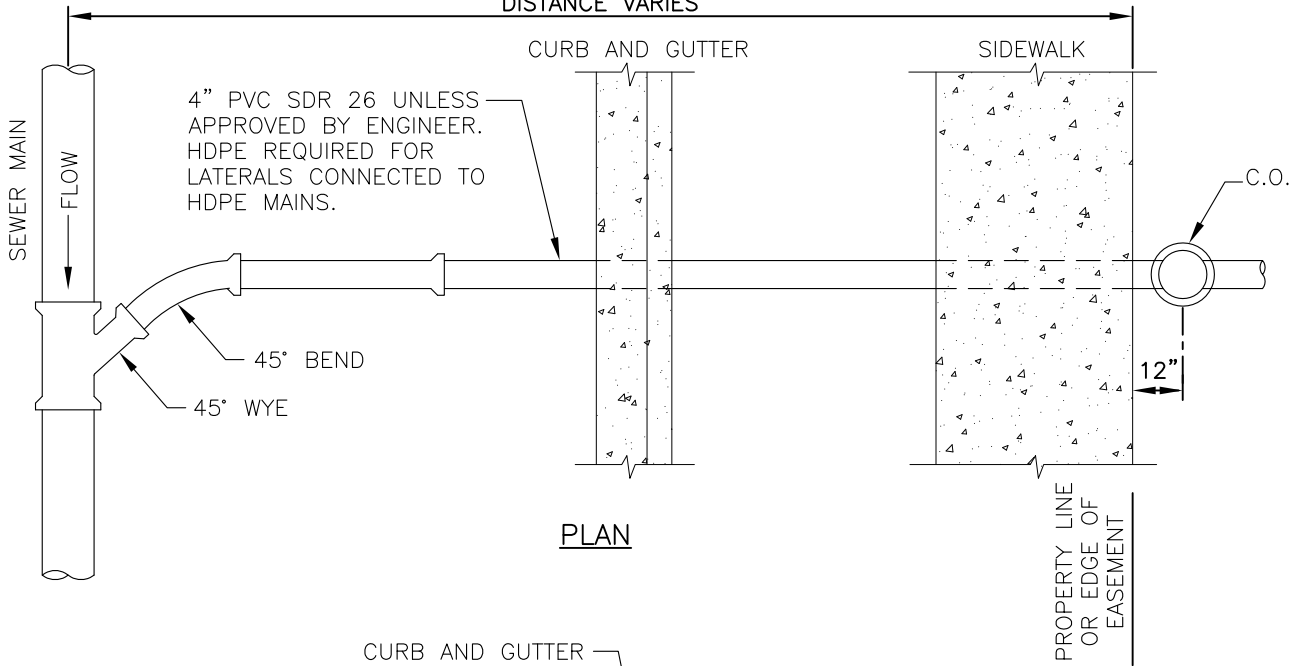
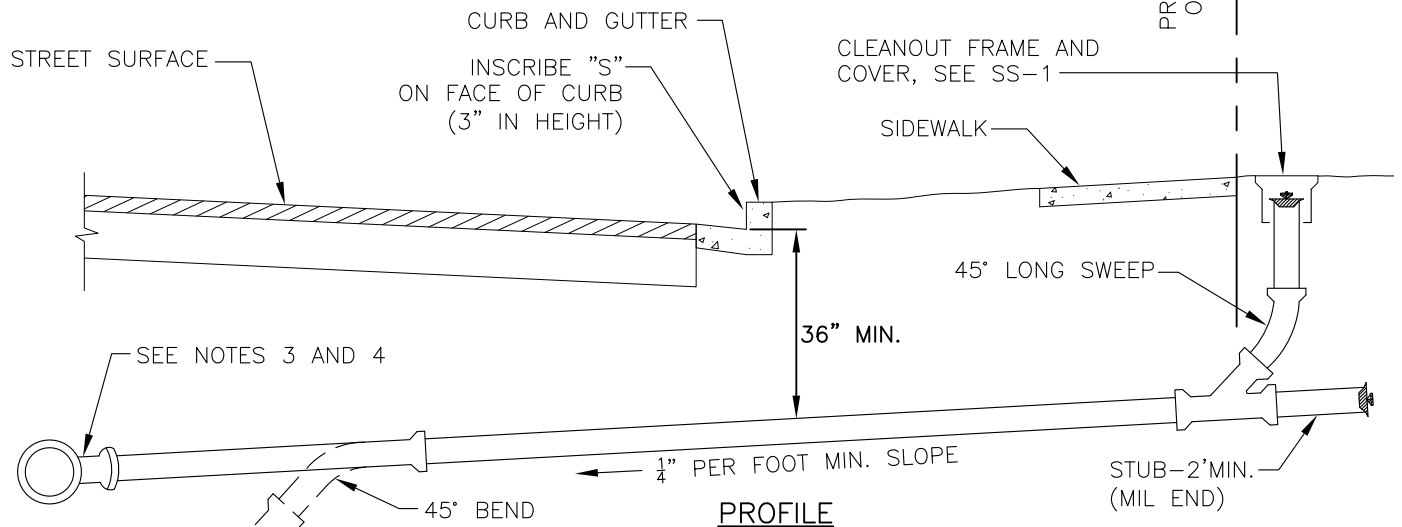


PUBLIC LATERAL
DISTANCE VARIES



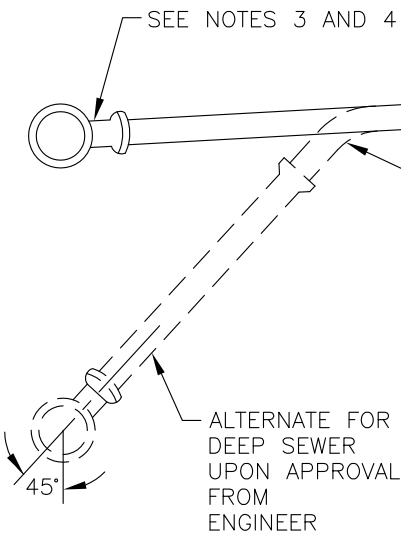
PLAN



PROFILE

NOTES:

1. WHEN DIRECTED BY THE ENGINEER OR AS SHOWN ON THE PLANS, THE PUBLIC LATERAL SHALL BE LOWER WHERE NECESSARY TO SERVE EXISTING PLUMBING OR LOW LOTS.
2. THE PUBLIC LATERAL SHALL BE INSTALLED WITH A STRAIGHT GRADE AND ALIGNMENT FROM THE SEWER MAIN TO THE PROPERTY LINE UNLESS OTHERWISE DIRECTED BY THE ENGINEER.
3. PUBLIC LATERAL SHALL BE FUSED HDPE PIPE WHEN CONNECTED TO AN HDPE MAIN. CONNECTION TO THE MAIN SHALL BE MADE WITH AN HDPE ELECTRO-FUSED SADDLE.
4. LATERAL CONNECTIONS TO EXISTING CIPP LINED MAINS SHALL BE MADE WITH "TAP-TITE" SADDLE, FERNCO TAP SADDLE WITH PRESSURE KIT, OR APPROVED EQUAL.



NAPA SANITATION DISTRICT



TITLE
**STANDARD RESIDENTIAL
PUBLIC LATERAL
NEW CONSTRUCTION**

DATE: **JAN 2016**
 CHECKED BY: **AD**
 APPROVED BY: **TH**
 SCALE: **NONE**

DRAWING NO.

SS-2