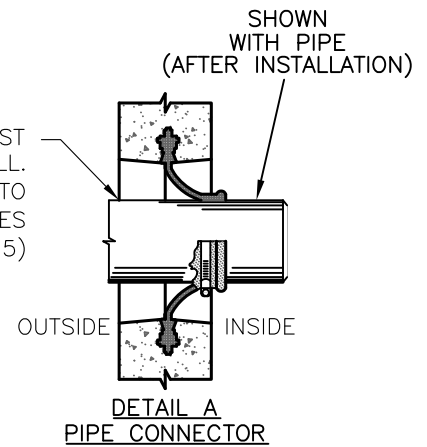


PIPE CONNECTOR CAST INTEGRALLY IN WALL. ACCEPTS 4.25" TO 6.25" OD PIPES (SEE NOTE 5)



NOTES:

1. SAMPLING BOX SHALL BE JENSEN PRECAST MODEL EV200. AN ALTERNATIVE DESIGN BY A REGISTERED ENGINEER MAY BE SUBMITTED FOR REVIEW BY THE DISTRICT ENGINEER.
2. SAMPLING BOX SHALL BE DESIGNED FOR HS-20 TRAFFIC LOADING.
3. LOCATION SUBJECT TO THE APPROVAL OF THE DISTRICT ENGINEER.
4. ALL SURFACE WATER MUST DRAIN AWAY FROM SAMPLING BOX.
5. A WATERSTOP CONSISTING OF A STANDARD MANHOLE ADAPTOR GASKET AS SUPPLIED BY THE PIPE MANUFACTURER TO BE GROUTED INTO THE BOX WALL NEAR THE CENTER OF THE WALL.
6. SAMPLING MANHOLE TO BE LOCATED DOWNSTREAM OF INTERCEPTOR AND OUTSIDE OF PUBLIC RIGHT OF WAY.

NAPA SANITATION DISTRICT



TITLE
**GREASE INTERCEPTOR
SAMPLING BOX**

DATE: JAN 2016
CHECKED BY: AD
APPROVED BY: TH
SCALE: NONE

DRAWING NO.

SS-23