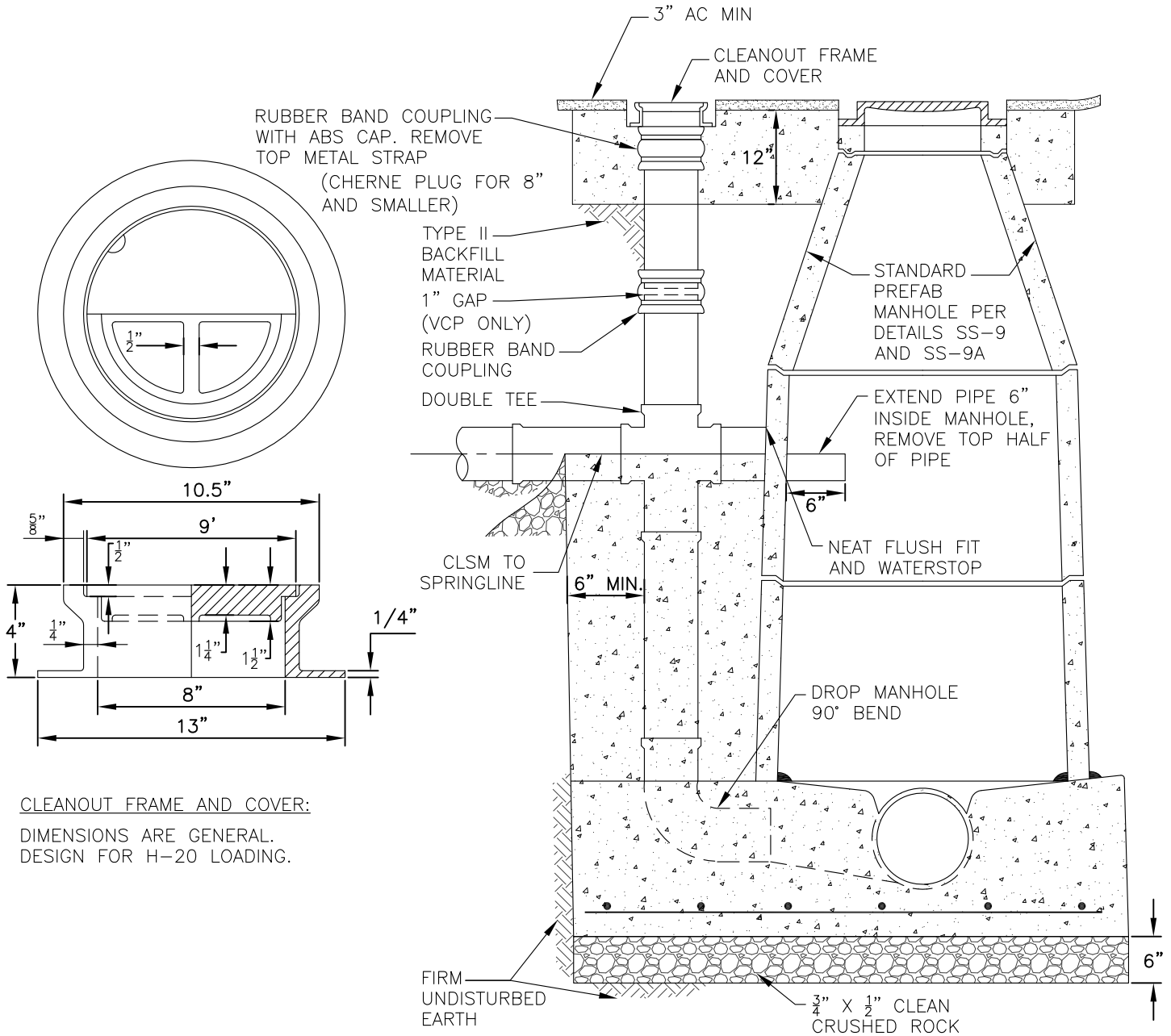


**GENERAL NOTES:**

1. STOP BOTTOM PIPE AT INSIDE WALL. FORM ALL CHANNELS THROUGH MANHOLES.
2. ALL CONCRETE SHALL BE CLASS "A".
3. DROP TYPE CONNECTION SHALL BE USED IF THE DIFFERENCE IN INVERT ELEVATION BETWEEN THE MAIN AND INTERSECTING PIPES IS GREATER THAN 2 FEET.
4. THE DROP TYPE MANHOLE IS SAME AS THE STANDARD MANHOLE EXCEPT FOR DROP TYPE CONNECTION.
5. DROP TYPE MANHOLE SHALL BE COATED.
6. SEE DETAIL SS-9 AND SS-9A FOR ADDITIONAL MANHOLE REQUIREMENTS.



**NAPA SANITATION DISTRICT**

	TITLE	DATE: JUN 2017	DRAWING NO.
	<p style="text-align: center;"><b>DROP TYPE MANHOLE</b></p>	CHECKED BY: KB	<p style="font-size: 24pt;"><b>SS-8</b></p>
		APPROVED BY: AD	
		SCALE: NONE	