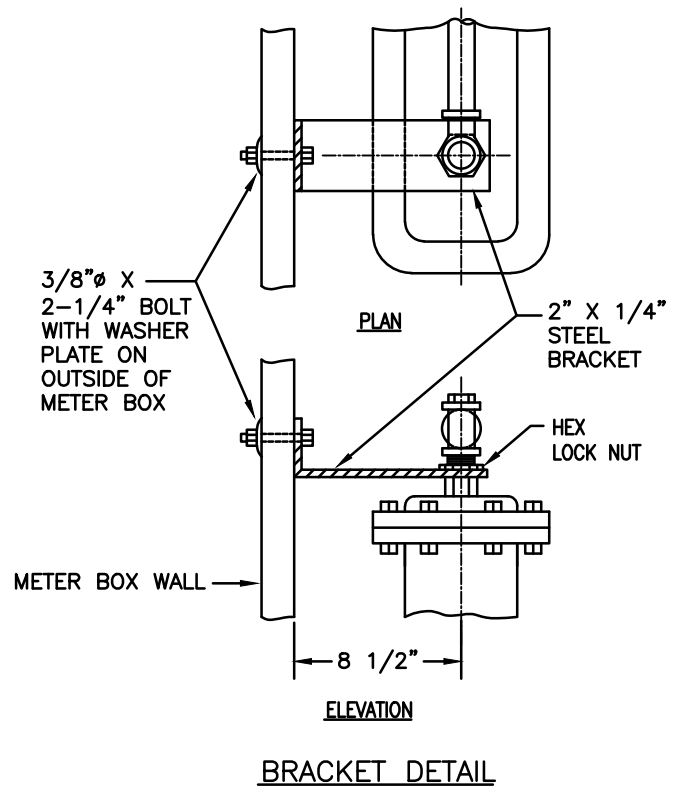


DETAIL - BOX INSTALLATION

APPROVED FITTINGS			
DESCRIPTION	MUELLER	FORD	JONES
SERVICE SADDLE	DE-2 S SERIES	FS300	J-969
CORP. STOP (MIPT x MIPT)	B-2969	FB500-7	J-1943
90° BEND (COMP x FIPT)	H-15533	L14-77Q	J2621SG
CURB STOP (FIPT x FIPT)	B-20200	B11-444W	J1900W

- NOTES**
- CURB ADJACENT SIDEWALK: INSTALL AIR-VAC ASSEMBLY BEHIND SIDEWALK.
 - AIR-VAC SHALL BE PLACED A MINIMUM OF 3' FROM ANY OBSTRUCTION (SIGN POST, MAIL BOX, FENCE, ETC.). NO TREES SHALL BE PLANTED WITHIN 10' OR LARGE SHRUBS WITHIN 5' OF THE AIR-VAC.



BRACKET DETAIL

NAPA SANITATION DISTRICT



TITLE
2" AIR RELEASE AND VACUUM VALVE ASSEMBLY

DATE: MAY 2012
 CHECKED BY: MW
 APPROVED BY: TH
 SCALE: NONE

DRAWING NO.
 RW-16