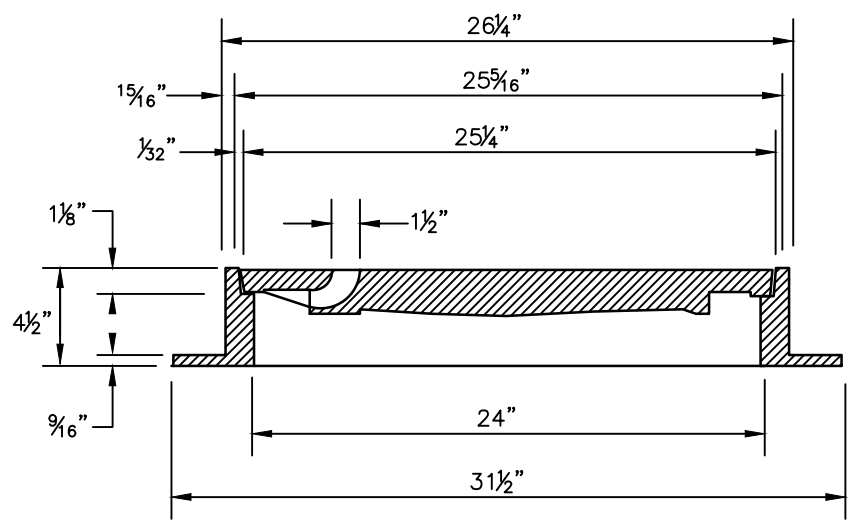


SET WEIGHT	
COVER	130
FRAME	140
TOTAL	270 LBS.



NOTES:

1. ALL MATERIALS USED IN MANUFACTURING SHALL CONFORM TO ASTM 48-30.
2. FRAME & COVER BEARING SURFACES MACHINED TO ASSURE CLOSE, QUIET FIT.
3. STANDARD COVER MARKINGS AVAILABLE: "SANITARY SEWER", OR AS PER REQUIRED LETTER DESIGNATION.
4. CASTINGS SHALL BE DIPPED IN BLACK BITUMINOUS PAINT.
5. REFER TO: SOUTH BAY FOUNDRY SBF-1900 CPH OR EQUAL.

NAPA SANITATION DISTRICT



TITLE
**STANDARD 24" MANHOLE
FRAME AND COVER**

DATE: **MAY 2012**
 CHECKED BY: **MW**
 APPROVED BY: **TH**
 SCALE: **NONE**

DRAWING NO.
SS-14