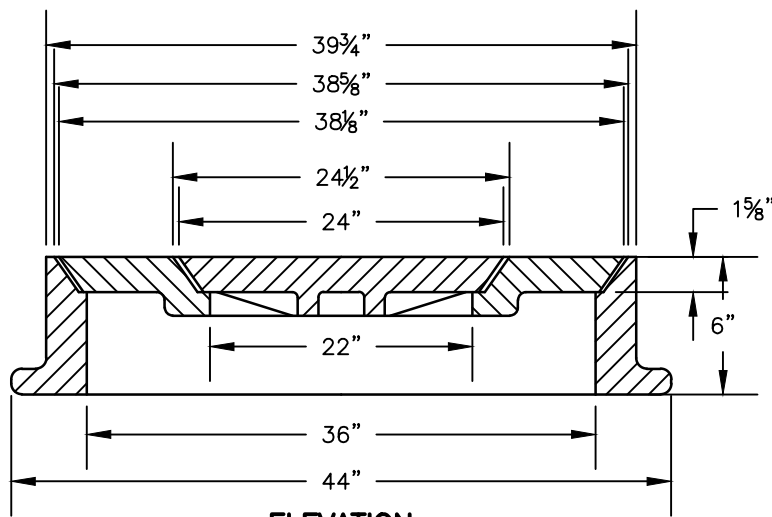
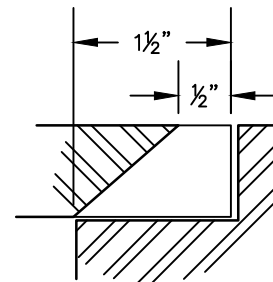


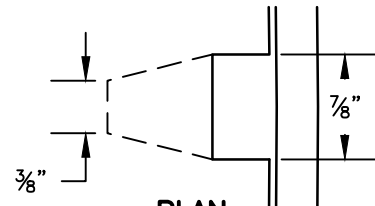
**PLAN**



**ELEVATION**



**ELEVATION**



**PLAN**

**PICK HOLE DETAIL**

NOTES:

1. CAST IRON FOR FRAME AND COVER SHALL BE CLASS 30 MINIMUM AS PER ASTM A-48.
2. RAISED LETTERS 1/4" HIGH TO BE CAST IN CENTER OF MANHOLE COVER.
3. MINOR MODIFICATIONS IN ABOVE DIMENSIONS AND MANUFACTURING CONFIGURATIONS ARE PERMISSIBLE SUBJECT TO DISTRICT APPROVAL.
4. BEFORE LEAVING THE FOUNDRY, THE FRAME AND COVERS SHALL BE PAINTED OR DIPPED IN ASPHALT PAINT.
5. REFER TO: SOUTH BAY FOUNDRY SBF 1325/1310.

**NAPA SANITATION DISTRICT**



TITLE

**36" DIAMETER  
MANHOLE FRAME  
AND COVER**

DATE: MAY 2012

CHECKED BY: MW

APPROVED BY: TH

SCALE: NONE

DRAWING NO.

**SS-16**