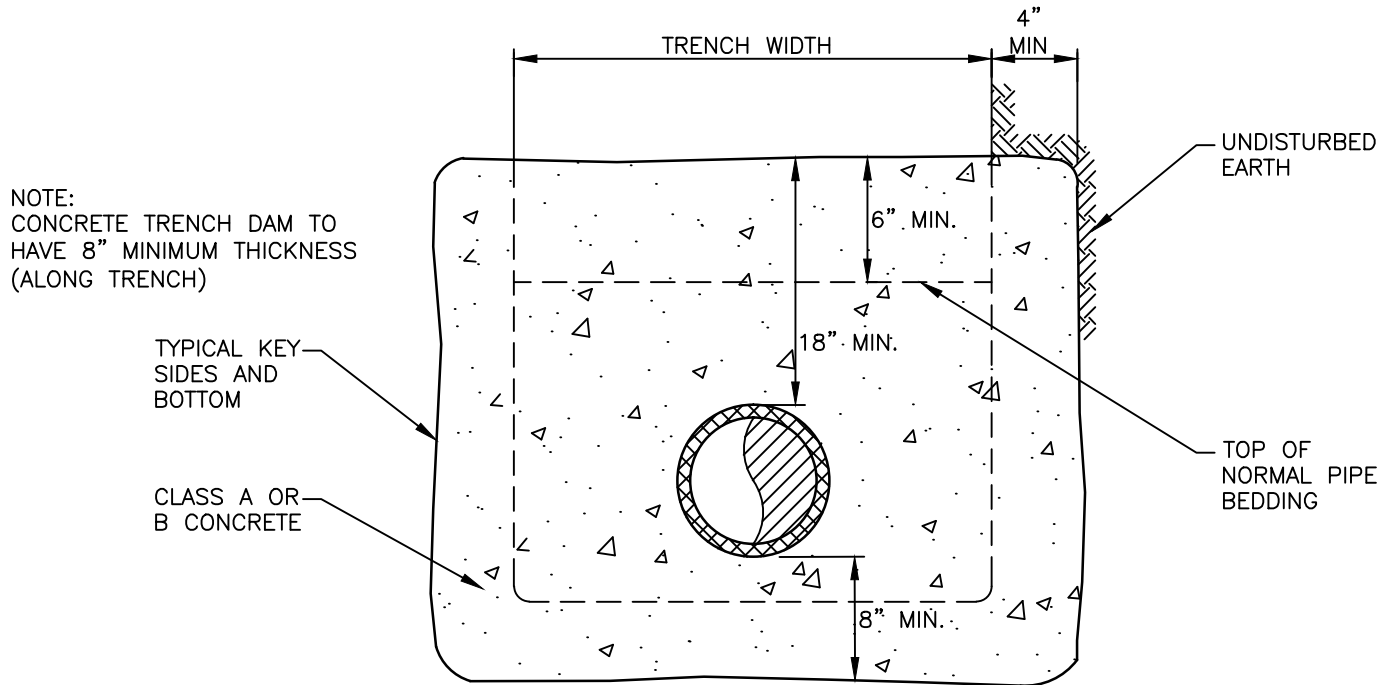


## TRENCH DAMS

LOCATED AS SHOWN ON THE  
PLANS OR AS DIRECTED BY  
THE ENGINEER



NOTE:  
CONCRETE TRENCH DAM TO  
HAVE 8" MINIMUM THICKNESS  
(ALONG TRENCH)

TYPICAL KEY  
SIDES AND  
BOTTOM

CLASS A OR  
B CONCRETE

UNDISTURBED  
EARTH

TOP OF  
NORMAL PIPE  
BEDDING

### CONCRETE TRENCH DAM SECTION

TOP OF  
TRENCH

**NOTES:**

1. EARTH TRENCH DAM SHALL BE ENTIRE WIDTH OF TRENCH
2. DRAINAGE FROM TRENCH DAM SHALL BE CONNECTED TO STORM DRAIN

BACKFILL AS REQUIRED

IMPORT OR APPROVED NATIVE  
BACKFILL MATERIAL  
(COMPACTED TO 95%  
RELATIVE COMPACTION)

PIPE BEDDING

WATER STOP

### EARTH TRENCH DAM ELEVATION

UNDISTURBED  
EARTH

## NAPA SANITATION DISTRICT



TITLE

TRENCH DAMS

DATE: MAY 2012

CHECKED BY: MW

APPROVED BY: TH

SCALE: NONE

DRAWING NO.

SS-20